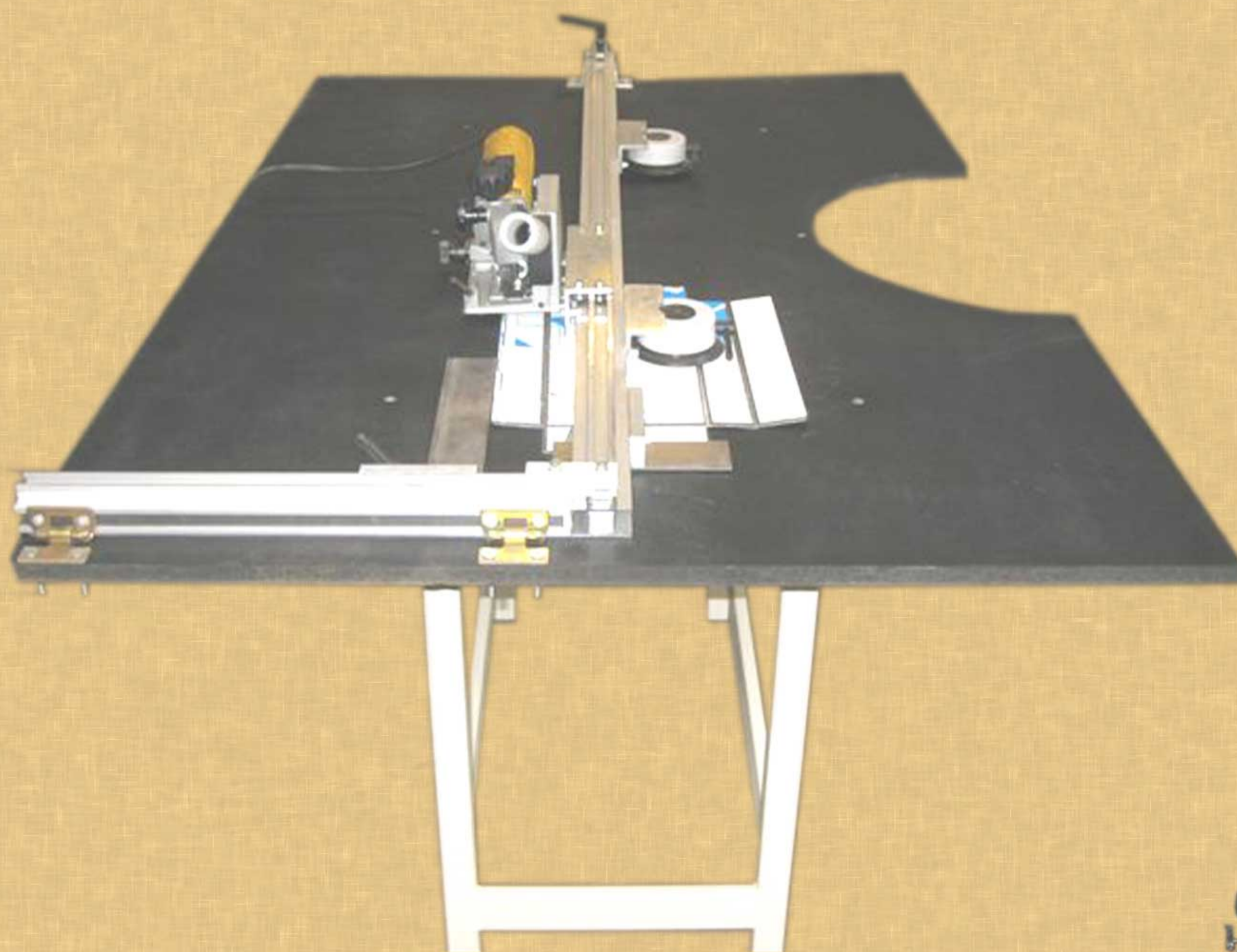




Dibond Router

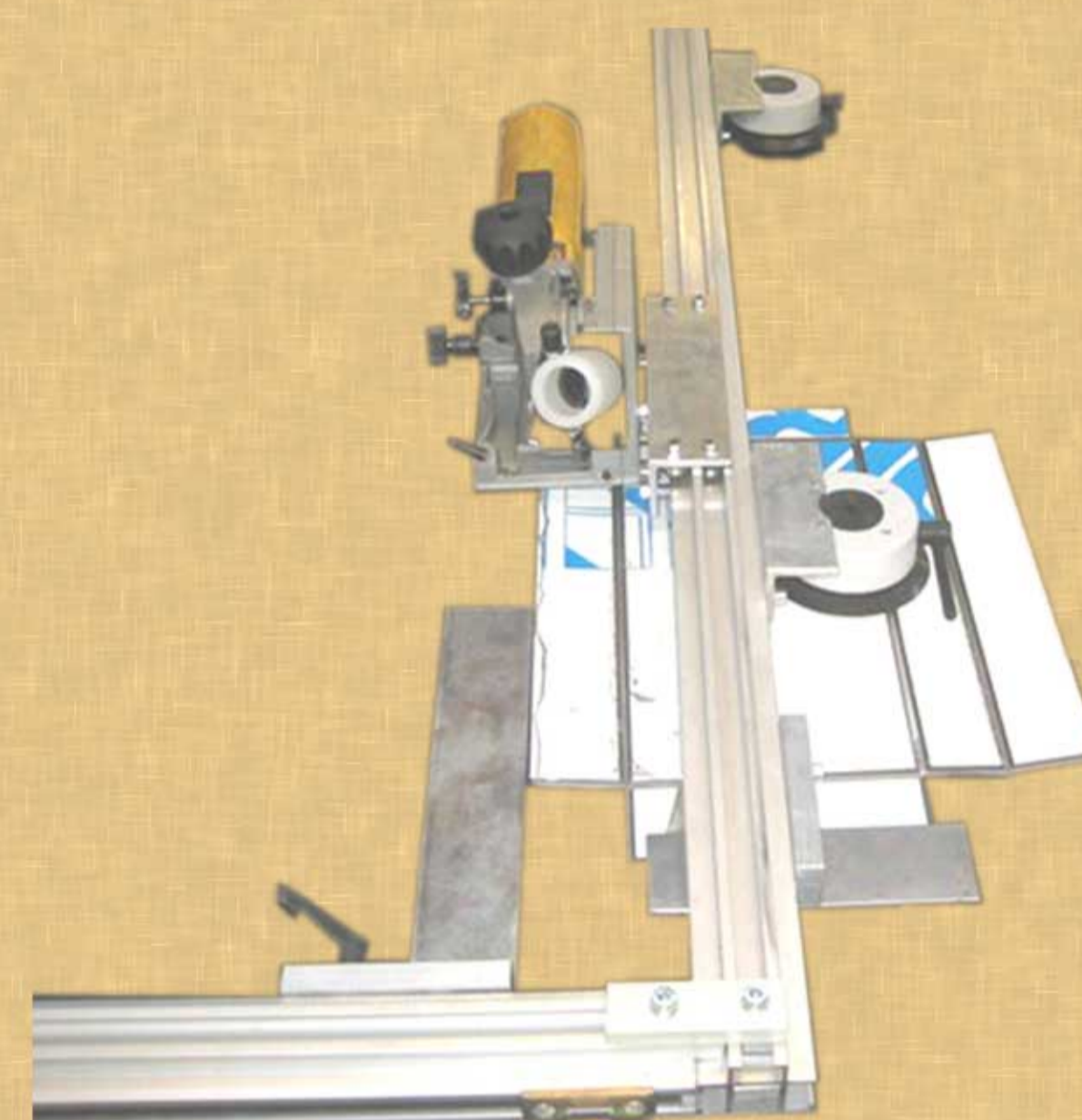
For Milling of V-Grooves



Milling



Milled panel



Dibond Router

- **The Dipond Router** is equipped with a special TCT grooving blade.
- It mills V-grooves with flat bottom in up to 5 mm thick panels for 90 degrees bending.
- The milling is in the longitude direction of the blade thus ensuring a perfect and quick working procedure and quite clean edges.
- The router is force-controlled on a guide rail with ball bearings that leads to the perfect result.
- The guide rail - equipped with clamps for fastening on the panel - is available in measurements at request.